

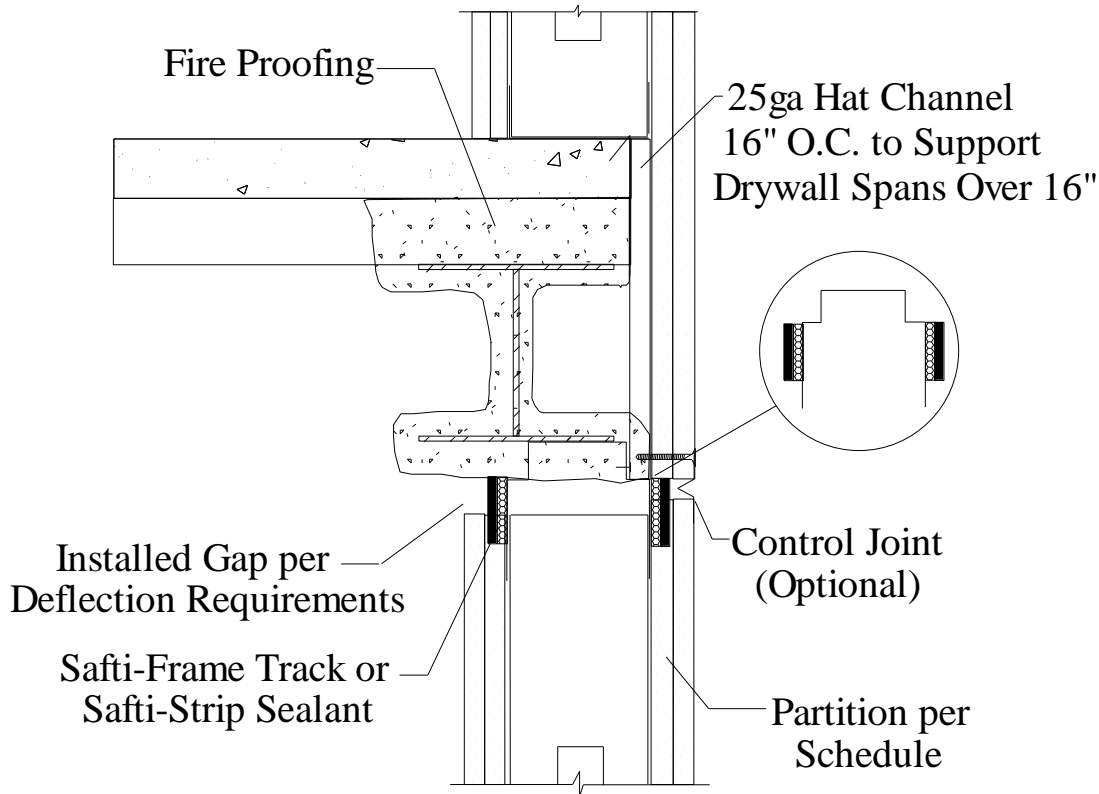
# Structural Support "Beams"



## SS5 – Stair Shaft Bypass Beam

**Deflection Joint Protection** - Strip / Framing Profile Series refer to UL Listing: [HW-D-502 & 0543](#)

.75" - 100 / Stock      1.00" - 125 / "W"      1.50" - 175 / "X"



1. Installed Gap - Single Story (compression only) = **Deflection Joint Protection**
2. Installed Gap - Multi-Story (compress + extension) = **1/2 distance** of **Deflection Joint Protection**
3. Attach to substrate with approved fastener max 24" O.C or per E.O.R.
4. Do not screw drywall or stud to SaftiFrame solid leg profile studs "free float"
5. "Slotted" profile metal framing fastener installed center of slot (min. one side)
6. Drywall fasteners 1" to 2" below SaftiFrame to accommodate movement

### UL, ASTM & Code Standards

UL2079 (5<sup>th</sup> Edition) & CAN/ULC S115  
ASTM E814, E1966, E2837  
A1003, A653, A924, C645, C754, C955  
Sound Tested according to ASTM E90-09  
2012 & 2015 IBC

### Leed Points

MR 2.1 & 2.2 - Construction Waste: up to 2pts  
MR 4.1 & 4.2 - Recycled Content: up to 2 pts  
MR 5.1 & 5.2 - Regional Proximity  
EQ 4.1 - Low Emitting Materials  
EQ 9 - Enhanced Acoustical

Phone: (425) 869-2811 Fax: (425) 869-2300