

Control Joint Protection and Framing Solution



Safti-Frame "CJB" (Control Joint Backer)

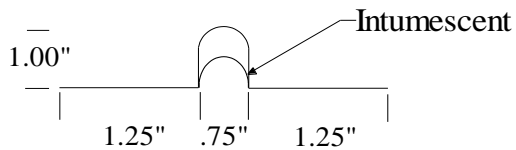
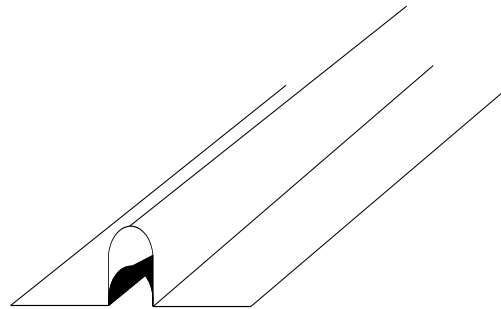
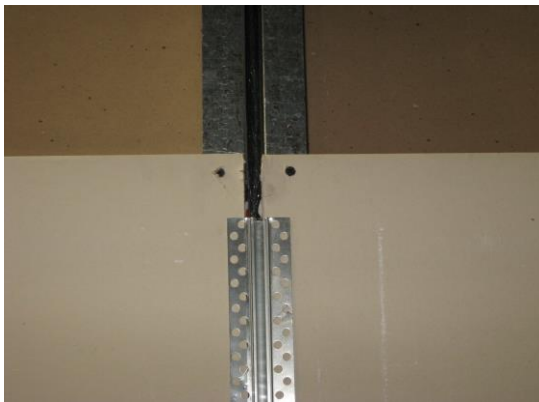
"One Stud Framing Solution"

Install Before or After Cavity Obstructions

Eliminate Drywall Rips/Mineral Wool and Extra Stud

Eliminate Fire Caulking of Penetrations through Cavity Drywall Rips

Zinc or Vinyl Architectural Control Joint (optional)



Part #	Intumescent Width	Profile Width	Gauge
CJB-18	1.25"	3.25"	.018



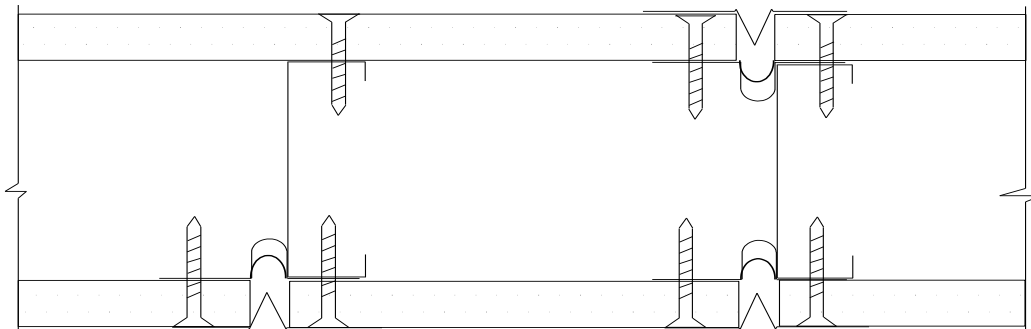
Control Joint Protection and Framing Solution



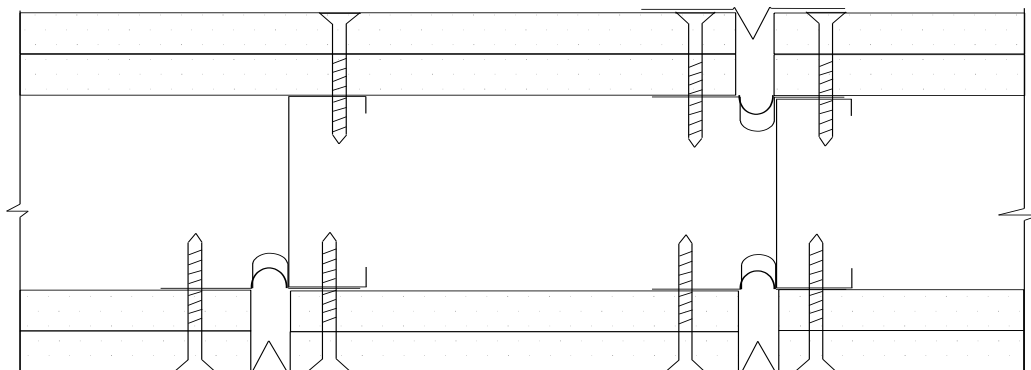
Installation:

- Locate first flange of CJB between wall "stud" and wall sheathing
- Fasten CJB max. 8" O/C utilizing wall sheathing fasteners for attachment
- Span wall sheathing from adjacent "stud" and attach to second CJB flange
- Edges of wall sheathing align with edges of intumescent material

Rated 1 hour - Top View CJB at Stud/Jamb (Single Side & Back to Back)



Rated 2 Hour - Top View CJB at Stud/Jamb (Single Side & Back to Back)



Profiles are manufactured with 25ga galvanized steel complying with ASTM A653 having a minimum G40 coating. Profiles comply with ASTM C645 and are installed behind joints in wall sheathing where control joints (Zinc or Vinyl 093) are installed to prevent face cracking.