

Project Submittal – Concrete - PT/Slab



Submittal Packet - Concrete - PT/Slab

1. Plan Set Details "Typical" Conditions for Flat Concrete Substrate with links to UL Listed Assemblies and Safti-Seal Detailed Safti-Frame or Safti-Strip Assemblies
2. Product Profiles with links to Profile Submittal Sheets commonly used for Flat Concrete Substrate
3. Documentation:
 - a. STC
 - b. Safti-Seal LEED Information

*****Click on Blue Highlighted to follow Direct Links*****

Additional Assemblies, Solutions, & Information available at www.saftiseal.com

[Header Assemblies - *HJC Clip*](#)

Backing Assemblies - [NSB](#) & [FBP](#)

[Installation, Recommendations, Repair](#)

[Chemical Compatibility with Sealants](#)

[Material Safety Data Sheets](#)

[Buy American Act Certification](#)

Assembly and Product Certifications and Leads

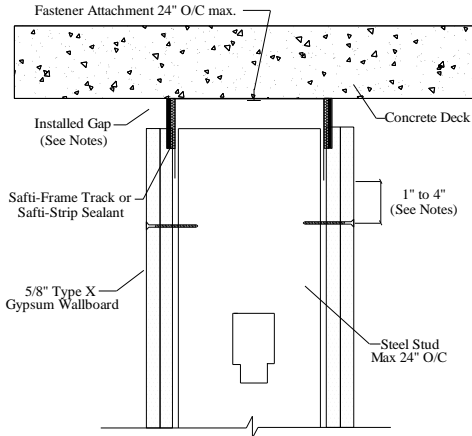
UL, ASTM & Code Standards

UL2079 (5th Edition) & CAN/ULC S115
ASTM E814, E1966, E2837
A1003, A653, A924, C645, C754, C955
Sound Tested according to ASTM E90-09
2012 & 2015 IBC

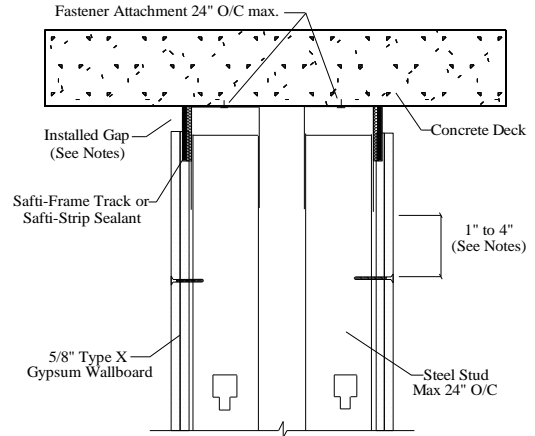
Leed Points

MR 2.1 & 2.2 - Construction Waste: up to 2pts
MR 4.1 & 4.2 - Recycled Content: up to 2 pts
MR 5.1 & 5.2 - Regional Proximity
EQ 4.1 - Low Emitting Materials
EQ 9 - Enhanced Acoustical

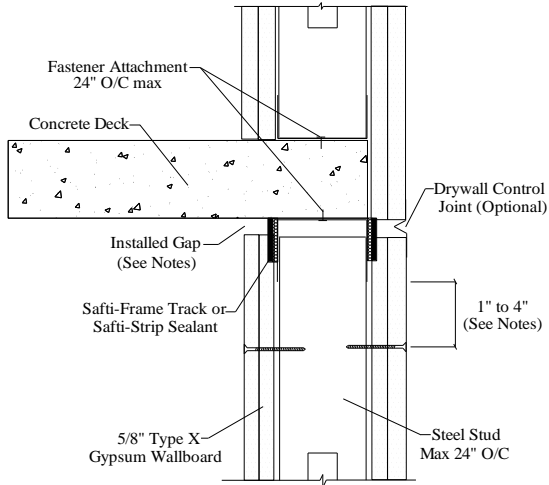
Project Submittal – Concrete - PT/Slab



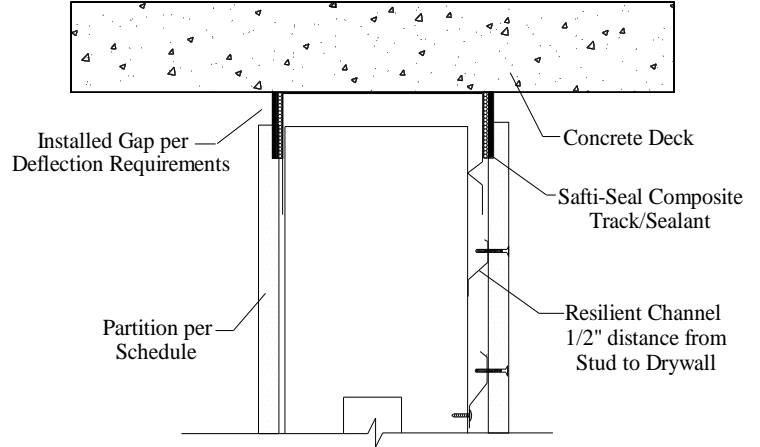
1 Single Wall
SaftiSeal Detail: [PT1](#)
UL Ref. [HW-D-0498](#)



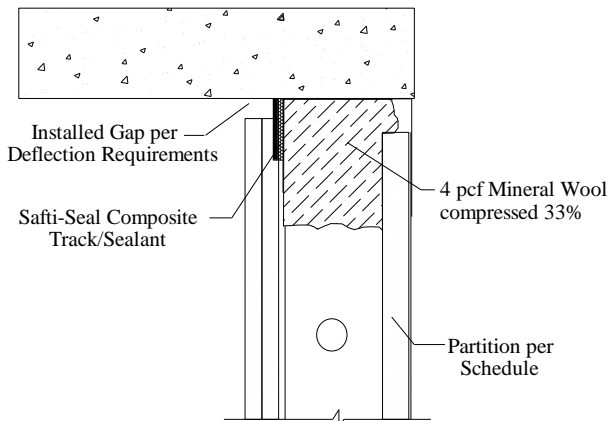
2 Chase Wall
SaftiSeal Detail: [PT2](#)
UL Ref. [HW-D-0505](#)



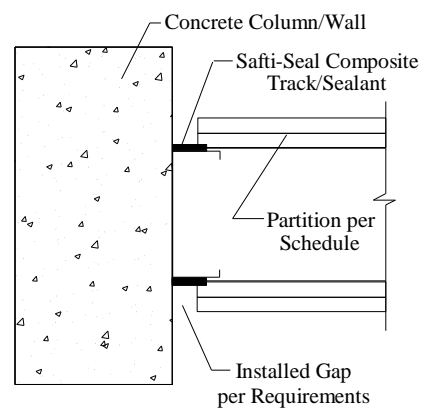
3 Stairwell/Floor Line Control Joint
SaftiSeal Detail: [PT4](#)
UL Ref. [HW-D-0543](#)



4 Sound Wall - Resilient Channel
SaftiSeal Detail: [VM11](#)
UL Ref. [HW-D-0498](#)

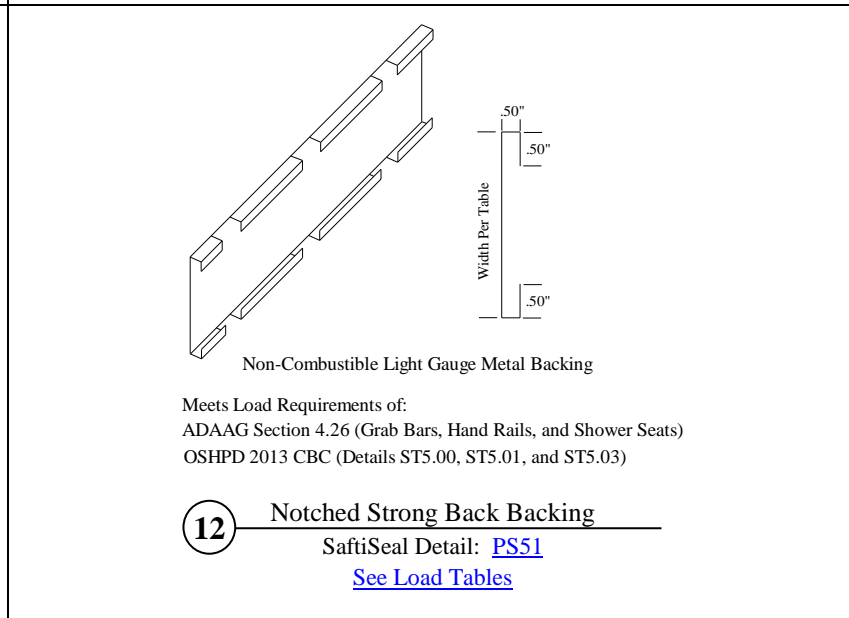
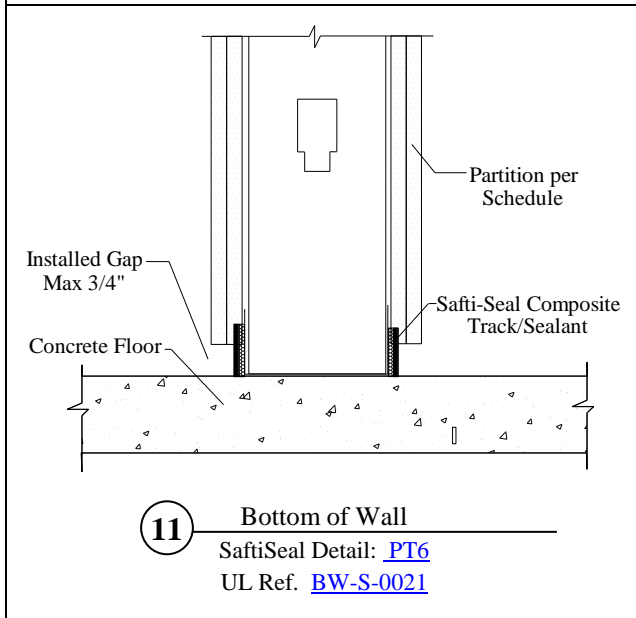
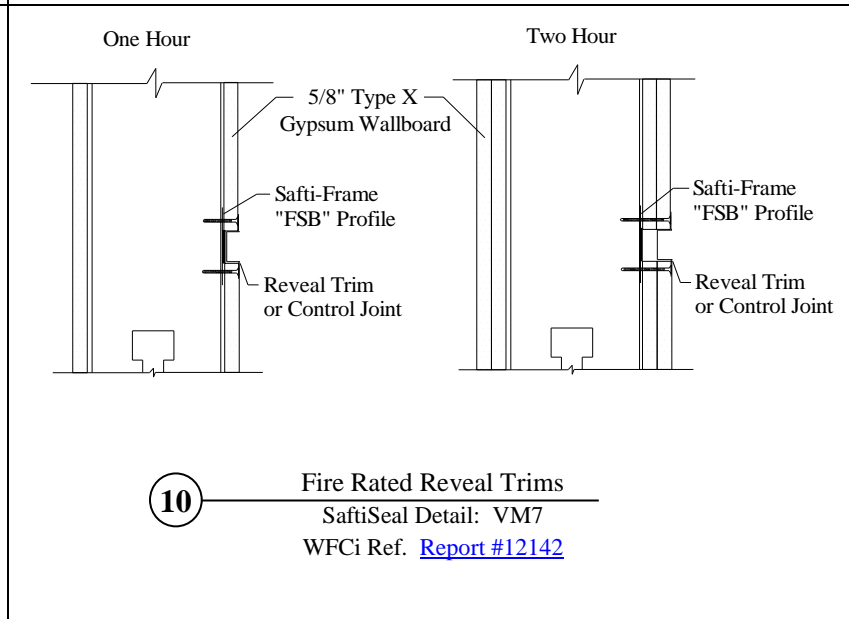
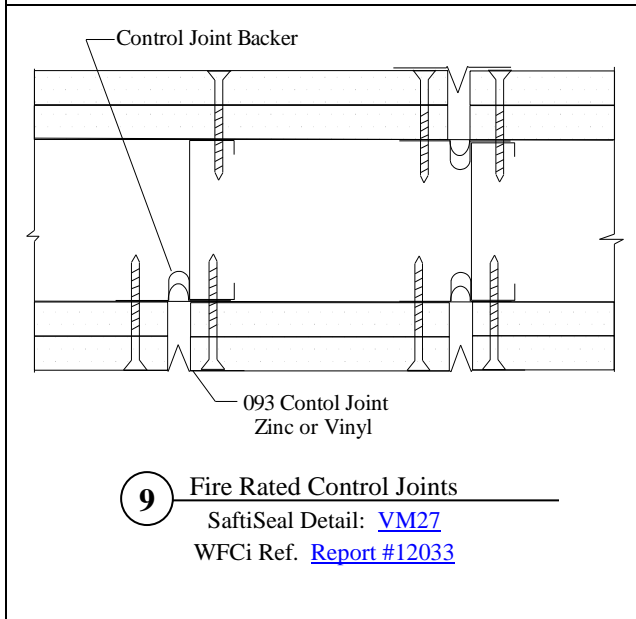
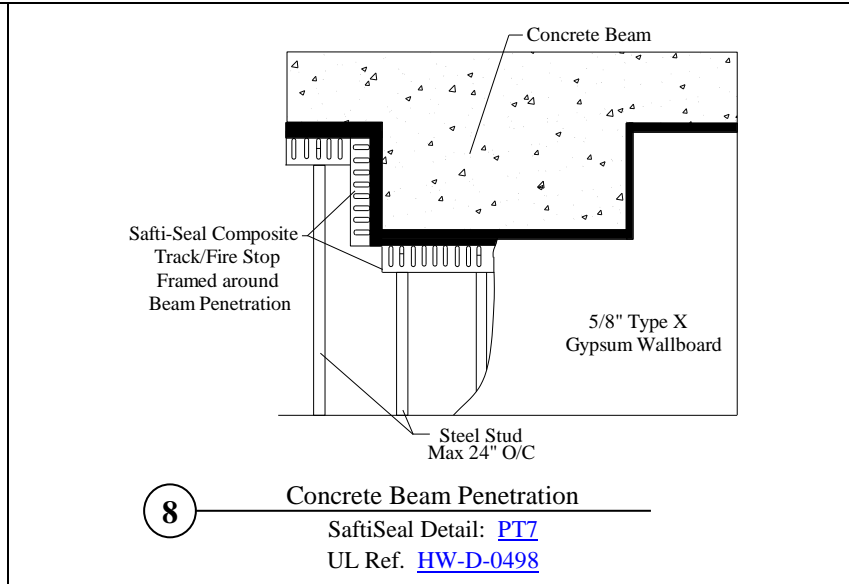
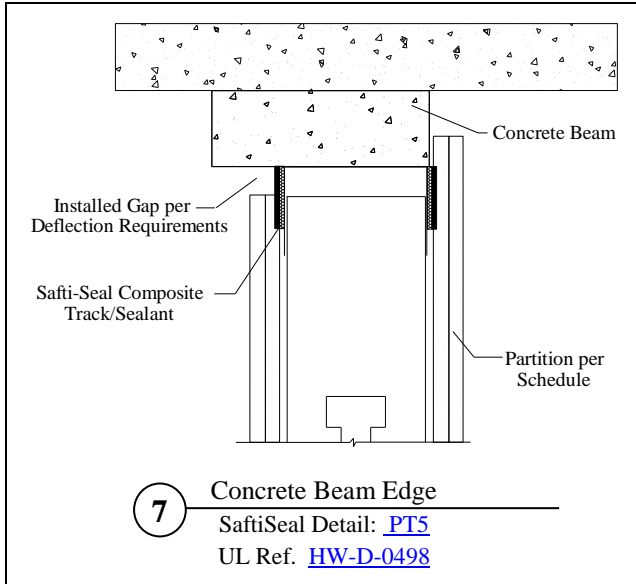


5 Shaft Wall
SaftiSeal Detail: [PT3](#)
UL Ref. [HW-D-0496](#)

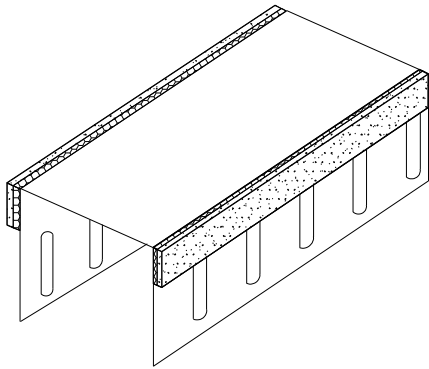


6 Vertical Joint - Concrete
SaftiSeal Detail: [VM1](#)
UL Ref. [WW-S-0055](#)

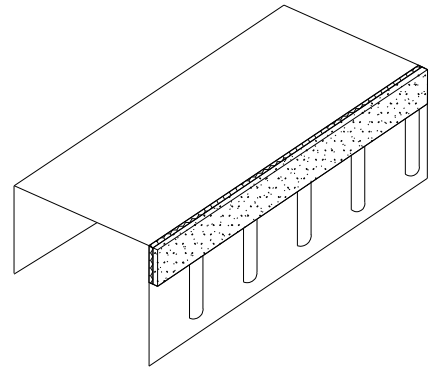
Project Submittal – Concrete - PT/Slab



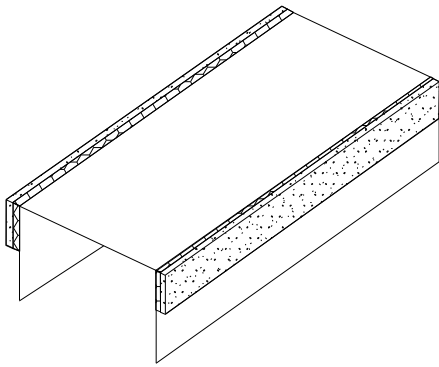
Project Submittal – Concrete - PT/Slab



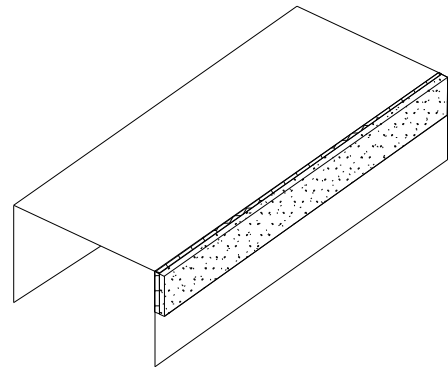
[DSL2](#) - Single Wall



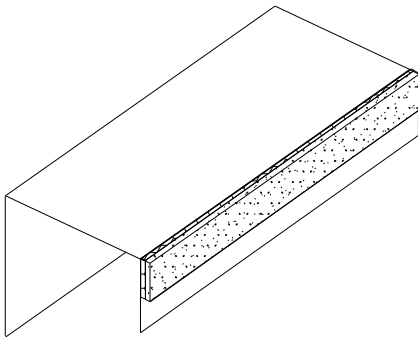
[SL1](#) - Chase Wall



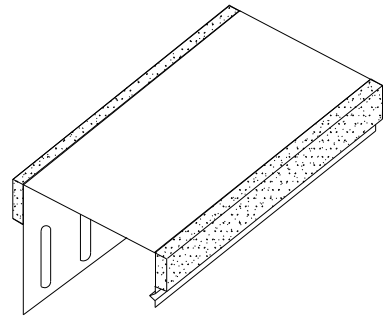
[DL2](#) - Single Wall



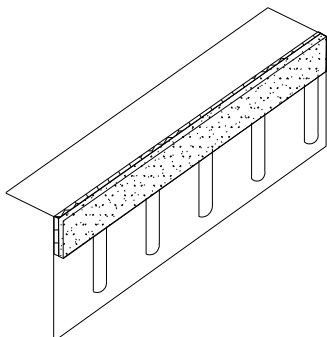
[DL1](#) - Chase Wall



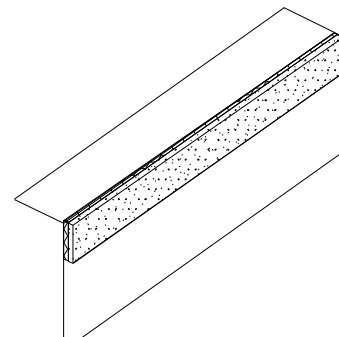
[JR](#) - Shaft Wall



[RCS](#) - Resilient Channel

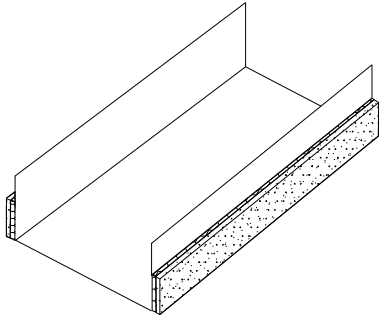


[OSA](#) - Bypass Cavity Obstructions



[OAN](#) - Bypass Cavity Obstructions

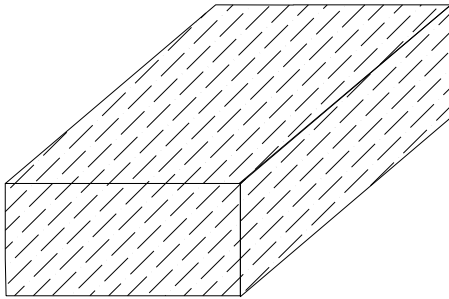
Project Submittal – Concrete - PT/Slab



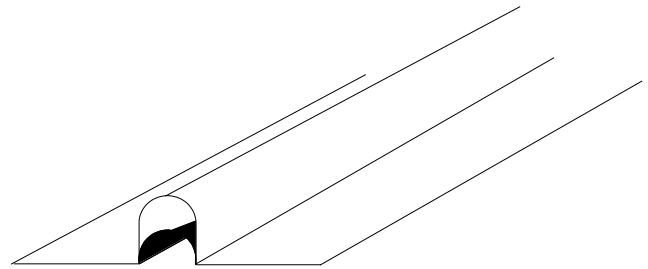
[BT](#) - Bottom Track



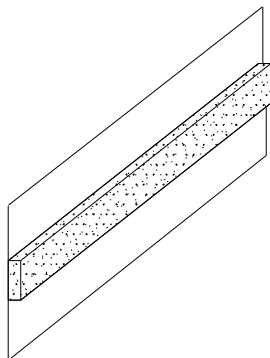
[Safti-Strip](#) – Roll Material



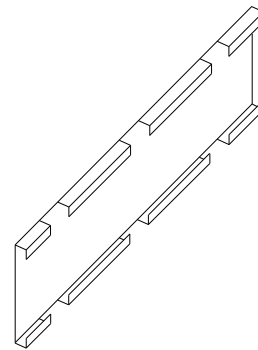
[SWCP](#) - Shaft Cavity Plug



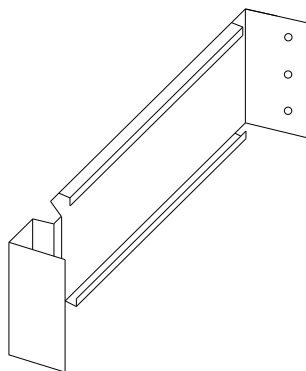
[CJB](#) - Fire Rated Control Joint Backer



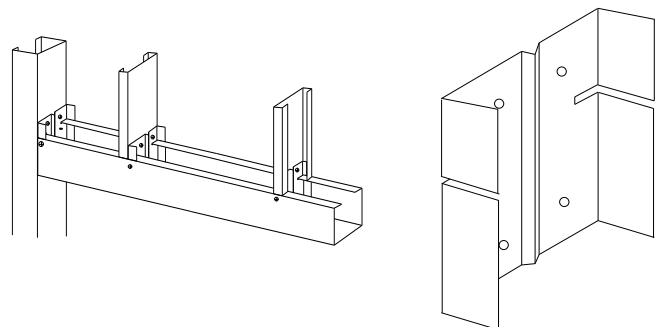
[FSB](#) - Fire Rated Reveal Trim Backer



[NSB](#) - Notched Strong Back



[FBP](#) - Flush Backing Plate



[HJC](#) - Header, Jamb, Cripple Clip

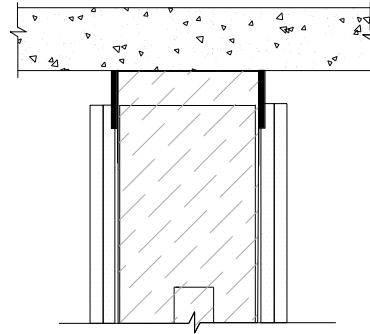


Safti-Seal Benefits

- Safti-Strip "gasket" Joint Protection
- Direct Attachment - No Caulk at Substrate
- Reduced Sound Transfer
- Sound Dampened Metal Profiles
- Exposed Head of Wall and Deflection Gaps
- Level III Dynamic Cycle (seismic) Rated
- Lifetime Protection - No Joint Fatigue

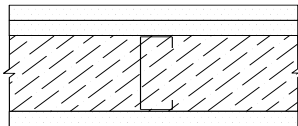
Safti-Seal Tested Wall Assemblies

- 1/2" to 3/4" Exposed Deflection Gaps
- 5/8" Type X Gypsum Sheathing
- 3 1/2" Fiberglass Insulation Cavity Fill



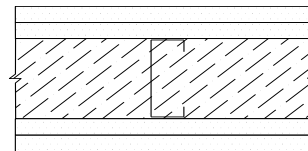
STC - 51

Single Wall Unbalanced - (TL 17-289)



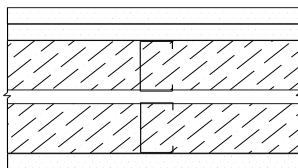
STC - 55

Single Wall Balanced - (TL 17-288)



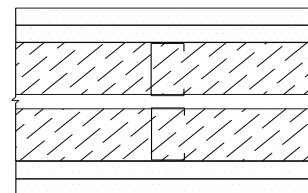
STC - 63

Chase Wall Unbalanced - (TL 17-293)



STC - 64

Chase Wall Balanced - (TL 17-292)





LEED (Leadership in Energy and Environmental Design)

The following information is provided to assist Architects and Persons responsible for obtaining a U.S. Green Building Council (USGBC) Certification.

Safti-Seal Strip and Safti-Frame composite steel/Safti-Strip profiles are manufactured in Auburn, WA and consist of a ratio of steel to Safti-Strip (by weight) of approximately 90% and 10% respectively. Our product profiles qualify for the following credit requirements:

Steel:

Credit MR 2.1 & 2.2 - Construction Waste Management: up to 2 points

Credit MR 4.1/4.2 – Recycled Content Requirements

Steel used in the manufacture of our steel profiles contains approximately 32.3% recycled steel consisting of 25.5% Post-Consumer and 6.8% Pre-Consumer.

Credit MR 5.1/5.2 – Regional Materials Requirements (Applies for some projects)

Steel used in the manufacture of our steel profiles is purchased from sources within 500 miles of our manufacturing facility (Auburn, WA). Steel may contain local materials and recycled content, not all of the steel content generally comes from local sources.

Safti-Strip:

Credit EQ 4.1 – Low Emitting Materials: Adhesives & Sealants

Cured Safti-Strip and adhesives used in the manufacture of our profiles contain less than 10 g/l volatile organic compounds (VOC) and comply with limits established by the South Coast Air Quality Management District (SCAQMD) Rule #1168, and the Bay Area Air Quality Management District Regulation 8, Rule 51.

Credit EQ 9 – Enhanced Acoustical

Why is there no LEED Certification on the product label?

According to USGBC: “USGBC certifies buildings, not the materials that are used to construct the buildings. Only USGBC can use the LEED logo. All others violate USGBC’s registered trademark rights.”